

上海江晶翔电子有限公司



Vert-X 27E - 24V / 4 - 20mA

Applications

- Harvesting machine
- Fork lift
- Hydraulic pump

Features general

- High protection class IP68
- Compact dimensions
- Non-contacting measuring method
- Very long life
- High accuracy of measurement
- Applications under adverse ambient conditions possible (humidity, dampness, dust, vibrations etc.)
- Full resolution and accuracy at programmed electrical angle

Features MH-C

- Resolution of 12bit
- Lower price than MH-C2

Features MH-C2

- Resolution of 14bit
- Index point(s), sense of rotation and angle settable resp. programmable by customer (optional)

Errors and omissions excepted. Subject to change without notice. / State: 01.10.10

CONTELEC
A company of the Siedle-Group

Sensor principle		MH-C	MH-C2
Electrical data			
Measuring range	°	0 ... 360	0 ... 360
Indep. linearity (without misalignment)	% of meas. range	±0.3	±0.3
Indep. linearity (with allowed misalignment @ 360°)	% of meas. range	±0.5	±0.5
Max. hysteresis	°	0.1	0.1
Resolution	bit	12	14
Max. repeatability	°	0.1	0.1
Sample rate fast mode	kHz	(5)	(2)
Sample rate slow mode	kHz	1.66	0.5
System propagation delay fast mode	µs	(800)	(800)
System propagation delay slow mode	µs	4600	2500
Max. temperature coefficient of the output signal	ppm/°K	100	100
MTTFd / MTBF	years	185 / 185	147 / 147
Power supply voltage	VDC	16 ... 35	16 ... 35
Current consumption without load (typ.) fast mode	mA	(19)	(20)
Current consumption without load (typ.) slow mode	mA	14	15
Min. ohmic load at output	kOhm	0 ... 0.5	0 ... 0.5
Max. capacitive load at output	nF	100	100
Reverse polarity protection of power supply		yes	yes
Electrical connection axial		Wires (3x)	Wires (3x)
Cross section of single wires	mm ²	0.56 (AWG20)	0.56 (AWG20)
Electrical connection radial		Cable 3pole	Cable 3pole
Cross section of single wires	mm ²	0.56 (AWG20)	0.56 (AWG20)
Redundancy feasible		no	no
Electrical connection redundant axial		-	-
Cross section of single wires redundant	mm ²	-	-
Electrical connection redundant radial		-	-
Cross section of single wires redundant	mm ²	-	-
Mechanical data			
Mechanical range	°	360 (continuous)	360 (continuous)
Protection class		IP68	IP68
Min. life	movements	no limitation	no limitation
Operating & storage temperature	°C	-40 ... +85	-40 ... +85
IEC 68-2-6 Vibration (Amax = 0.75mm, f = 5 ... 2000 Hz)	g	50	50
IEC 68-2-27 Shock	g	200	200
Standards			
EN 55022 class B, Emission radiated (30... 230 MHz)	dB(µV/m)	max. 30	max. 30
EN 55022 class B, Emission radiated (230...1000MHz)	dB(µV/m)	max. 37	max. 37
EN 61000-4-2, ESD (contact discharge / air discharge)	kV	±4 / ±8	±4 / ±8
EN 61000-4-3, Immission HF radiated (80... 1000 MHz)	V/m	30	30
EN 61000-4-4, Burst (on all lines)	kV	±1	±1
EN 61000-4-5, Surge (lines to ground)	kV	±1	±1
EN 61000-4-6, Immission HF conducted (0.15...80MHz)	Vemk	10	10
EN 61000-4-8, Immission magnetic field (50Hz)	A/m	30	30
IEC 60393-1 Insulation resistance (500VDC, 1bar, 2s)	GOhm	20	20
IEC 60393-1 Dielectric strength (VAC, 50Hz, 1min, 1bar)	kV	1	1

上海江晶翔电子有限公司



Vert-X 27E - 24V / 4 - 20mA
Ordering code

*** Switch outputs**
 Please define number
 (max. 127), position and width
 of the pulses.

Output characteristics		Electrical connection / axial	
Positive gradient CW	Standard 1	3 Optional	Wires 4pole
Positive gradient CCW	Optional 2	5 Standard	Wires 3pole
Redundant, positive gradient CW	Optional 3	7 Optional	Wires 5pole / 6pole
Redundant, positive gradient CCW	Optional 4	9 Optional	Special cable ; special wires
Redundant, crossed signal curves	Optional 5		
Positive gradient CW with 1 switch output*	Optional A	Electrical connection / radial	
Positive gradient CCW with 1 switch output*	Optional B	4 Standard	Round cable 3pole
Positive gradient CW with 2 switch outputs*	Optional C	6 Optional	Round cable 6pole
Positive gradient CCW with 2 switch outputs*	Optional D	9 Optional	Special cable ; special wires
Sense of rotation settable	Optional E	Length of wires	
Zero point & sense of rotation settable	Optional F	01 Optional	10cm
Middle point & sense of rotation settable	Optional G	03 Optional	30cm
Start + end point & sense of rotation settable	Optional H	05 Standard	50cm
Programmable with Vert-X EasyAdapt	Optional P	99 Optional	Special length
Output signal		Length of cable	
4mA ... 20mA	Standard 5	02 Standard	1.0m
		06 Optional	3.0m
		10 Optional	5.0m
		99 Optional	Special length
Power supply voltage			
24VDC	Standard 1		

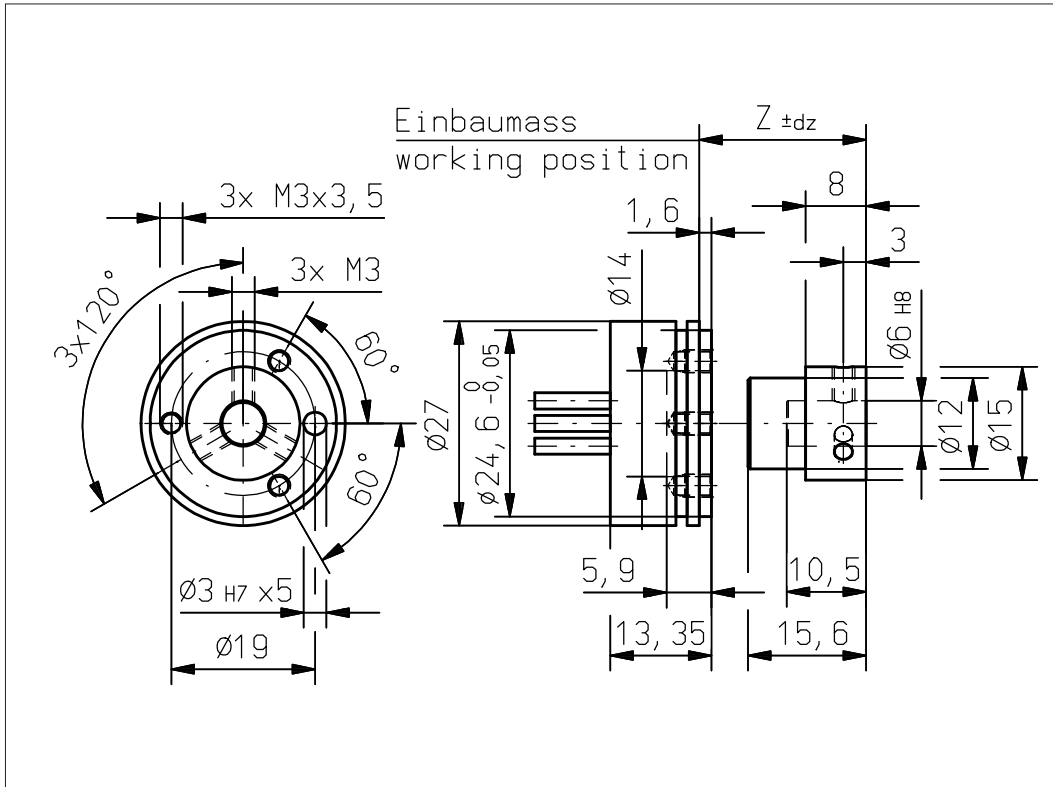
Vert-X	2	7	E	2	7	3	6	1	5	1	5	0	5
Electrical angle		36	Standard	Electrical angle 360°									
xx	Optional	03 to 35; Declaration in 10° steps											
99	Optional	Special angle											
Sensor principle		7	MH-C										
8	MH-C2												
Mechanical version		27E1	Optional	Servo mount size 11 ; magnetic actuator type 1									
27E2	Standard	Servo mount size 11 ; magnetic actuator type 2											
27E9	Optional	Special housing ; special magnetic actuator											

	MH-C	MH-C2
Custom magnetic actuator	X	X
Custom modification of the housing	X	X
Custom cable / wires	X	X
Sample rate in fast mode	X	X
Switch functions TTL (max. 2)	X	X
Special characteristic curve	-	X
Special electrical angle within 30° to 360° (ex factory)	X	X
Electrical angle programmable (Software)	-	X
Start & end point settable (Additional wires)	-	X
Sense of rotation CW/CCW settable / programmable (Additional wires or Software)	-	X
Index point settable / programmable (Additional wires or Software)	-	X

Options (on request)

Errors and omissions excepted. Subject to change without notice. / State: 01.10.10

CONTELEC
 A company of the Siedle-Group



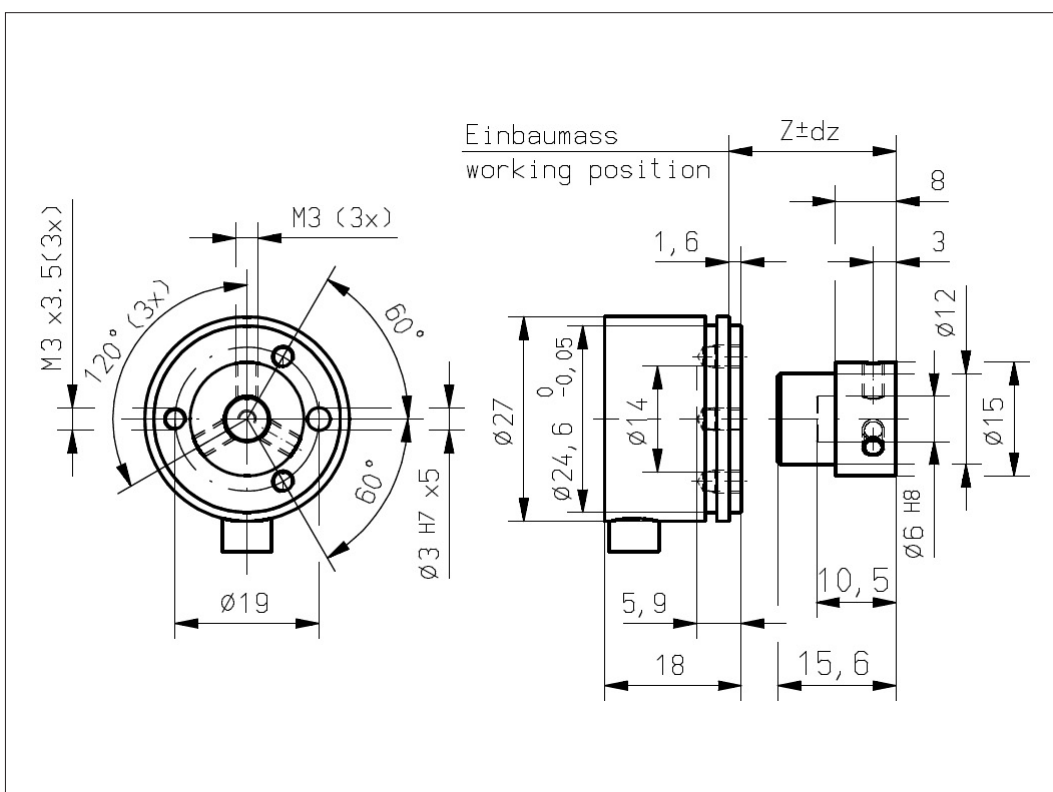
Vert-X 27E2 xxx xxx 5xx
Vert-X 27E2 xxx xxx 7xx

Accessoires (incl.)

- 1x Fixation clip
- 2x Slotted cylinder head screw M5x12

Working position (Z) and max. permitted misalignment of the magnetic actuator

see mounting information



Vert-X 27E2 xxx xxx 4xx
Vert-X 27E2 xxx xxx 6xx

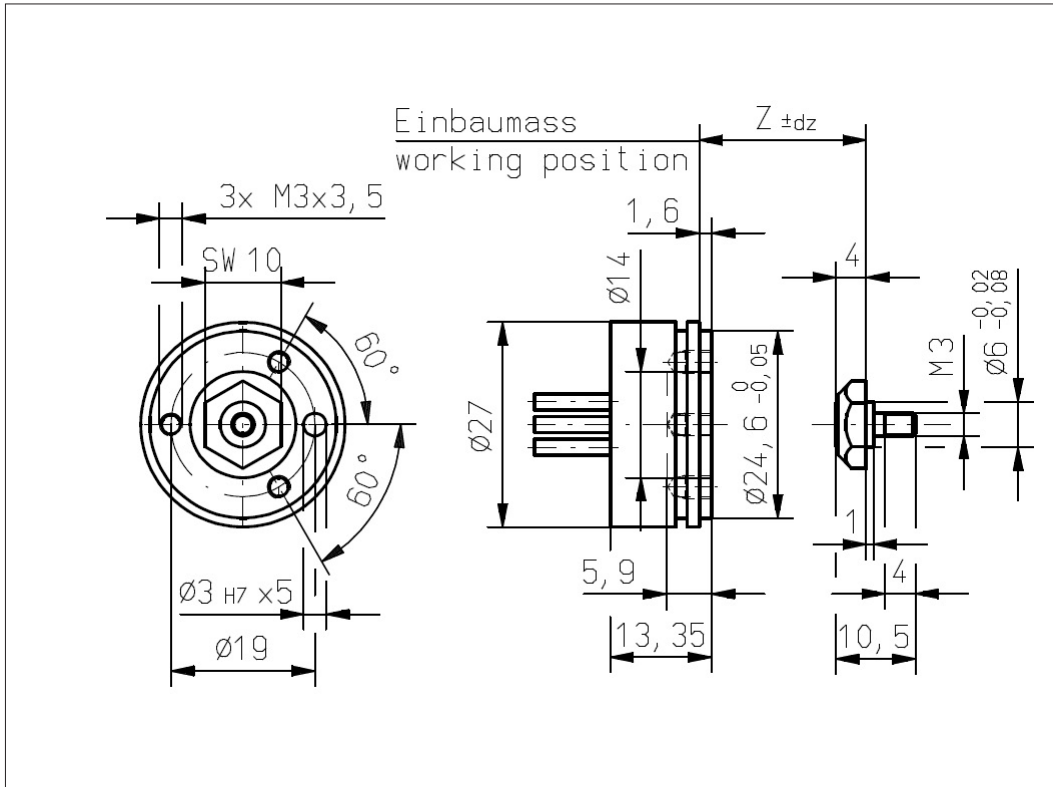
Accessoires (incl.)

- 1x Fixation clip
- 2x Slotted cylinder head screw M5x12

Working position (Z) and max. permitted misalignment of the magnetic actuator

see mounting information

Errors and omissions excepted. Subject to change without notice. / State: 01.10.10



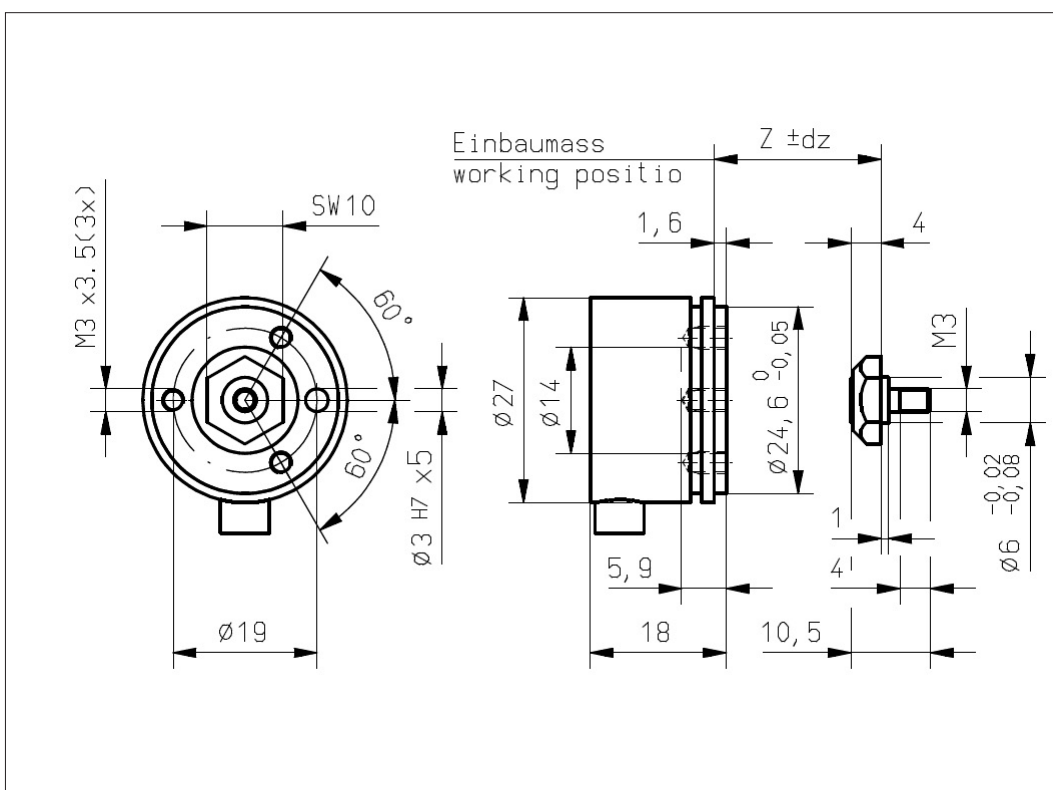
Vert-X 27E1 xxx xxx 5xx
Vert-X 27E1 xxx xxx 7xx

Accessoires (incl.)

- 1x Fixation clip
- 2x Slotted cylinder head screw M5x12

Working position (Z) and max. permitted misalignment of the magnetic actuator

see mounting information



Vert-X 27E1 xxx xxx 4xx
Vert-X 27E1 xxx xxx 6xx

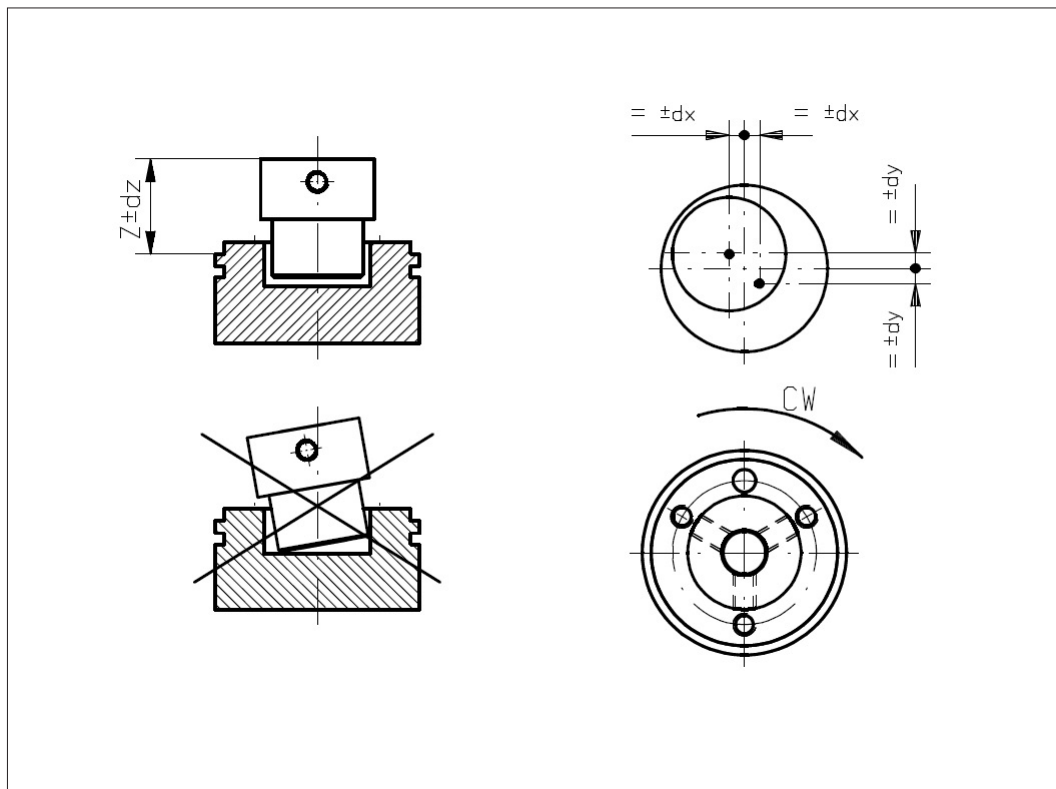
Accessoires (incl.)

- 1x Fixation clip
- 2x Slotted cylinder head screw M5x12

Working position (Z) and max. permitted misalignment of the magnetic actuator

see mounting information

Errors and omissions excepted. Subject to change without notice. / State: 01.10.10



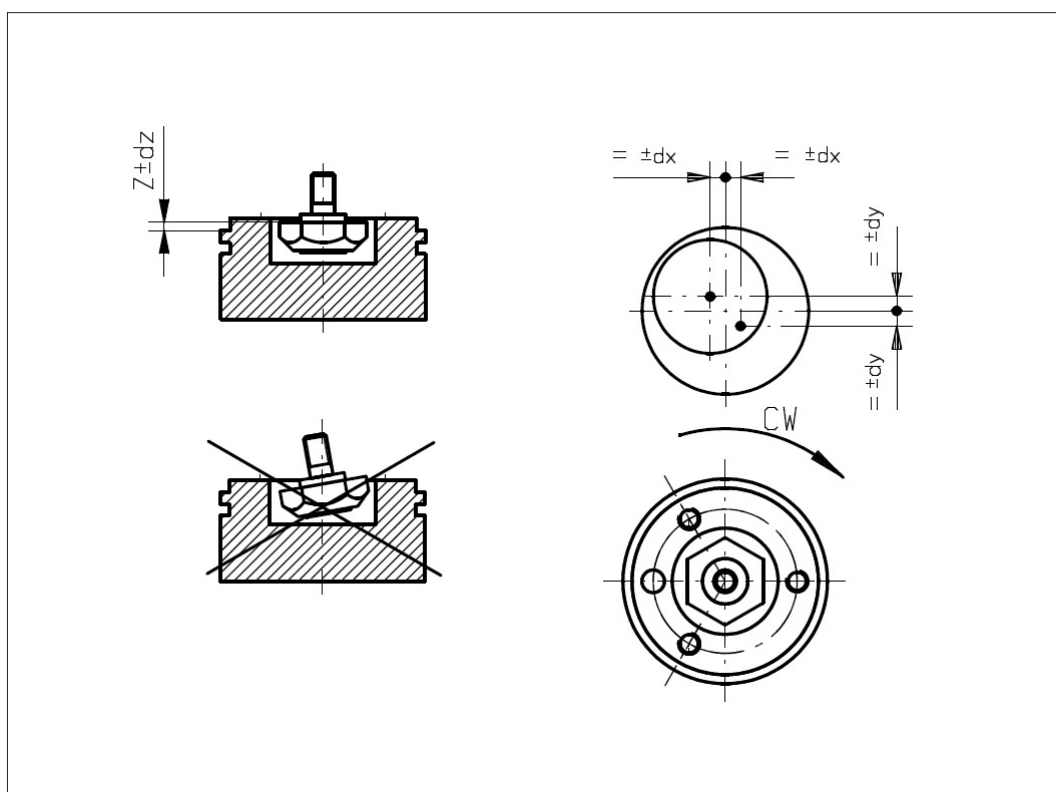
Vert-X 27E2
Mounting information

Working position (Z)

MH-C	12.80mm
MH-C2	12.80mm

**Max. permitted misalign-
ment of the magnetic
actuator**

dx	±0.25mm
dy	±0.25mm
dz	±0.5mm



Vert-X 27E1
Mounting information

Working position (Z)

MH-C	1.40mm
MH-C2	1.40mm

**Max. permitted misalign-
ment of the magnetic
actuator**

dx	±0.25mm
dy	±0.25mm
dz	±0.5mm

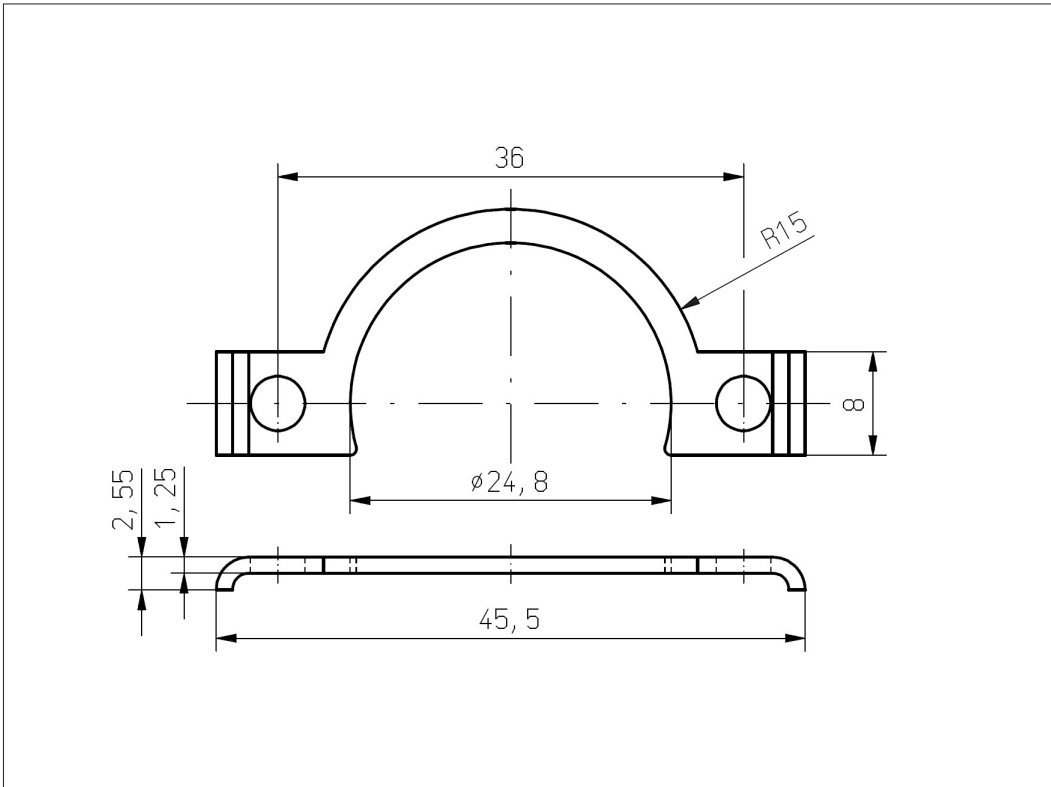
Errors and omissions excepted. Subject to change without notice. / State: 01.10.10



A company of the Siedle-Group



Vert-X 27E
Accessoires
Fixation clip



Errors and omissions excepted. Subject to change without notice. / State: 01.10.10

CONTELEC

A company of the Siedle-Group